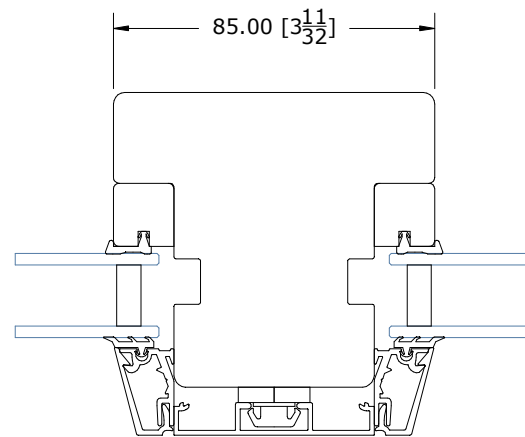
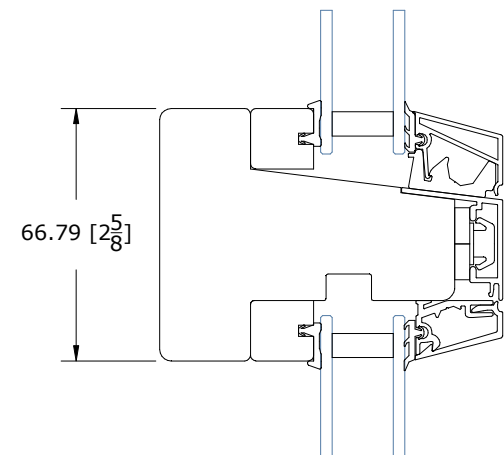


56mm VERTICAL MULLION

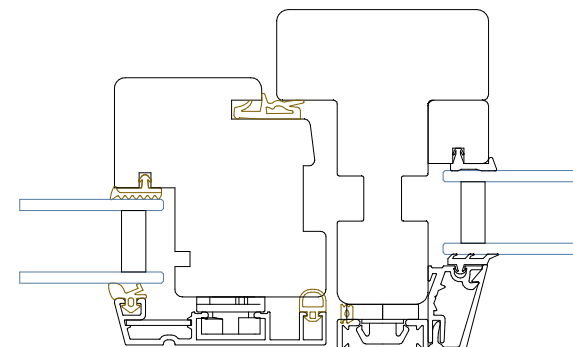
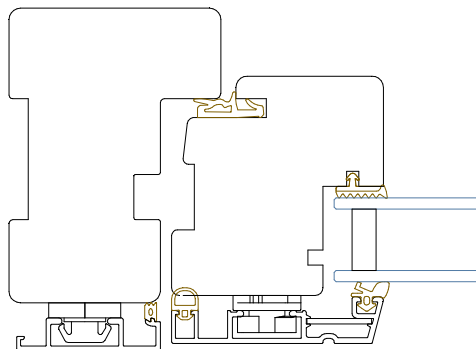
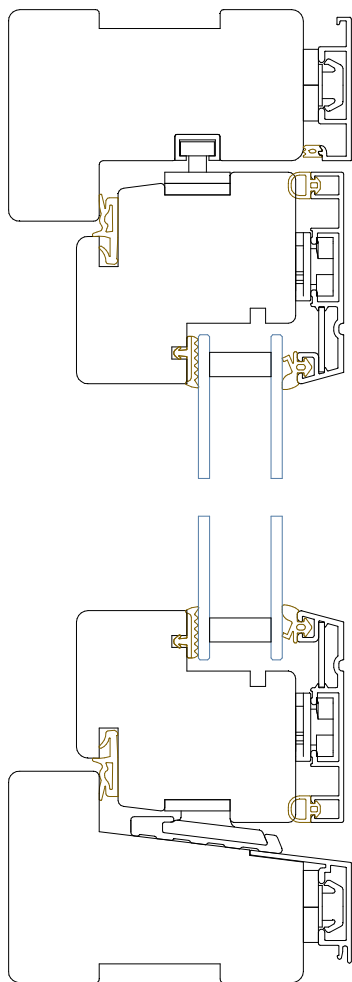


85mm VERTICAL MULLION

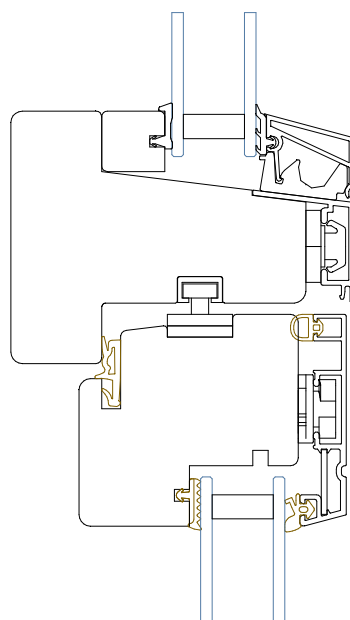


HORIZONTAL MULLION

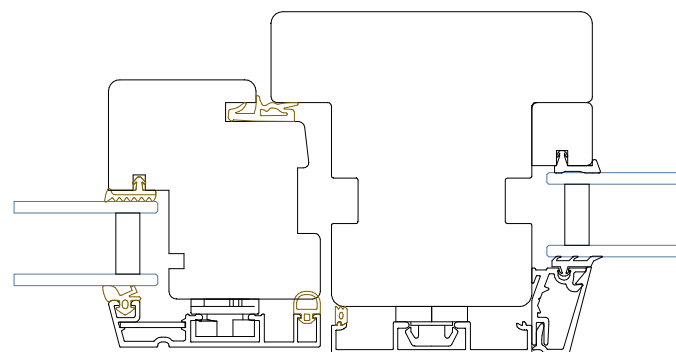
SIDESWING 90 SYSTEM SPECS:
MAX SASH WIDTH: 35"
MAX SASH WEIGHT: 88 LBS



56mm VERTICAL MULLION

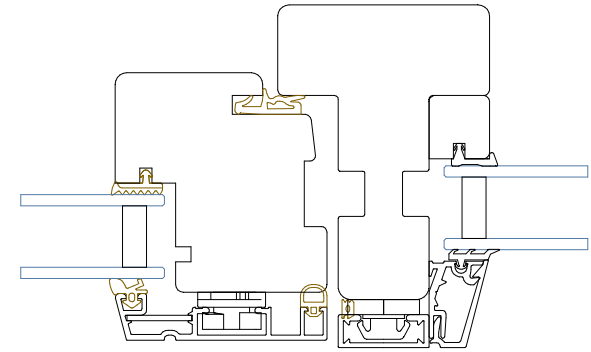
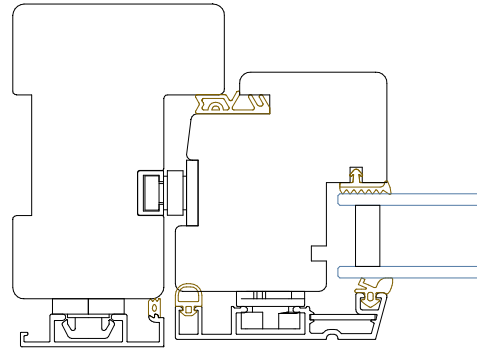
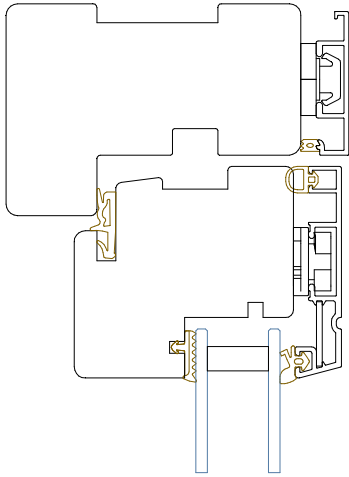


HORIZONTAL MULLION

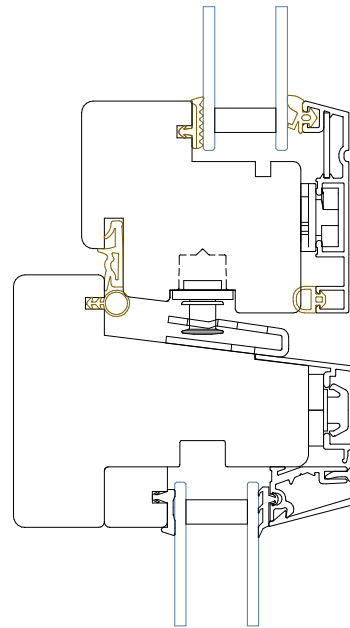
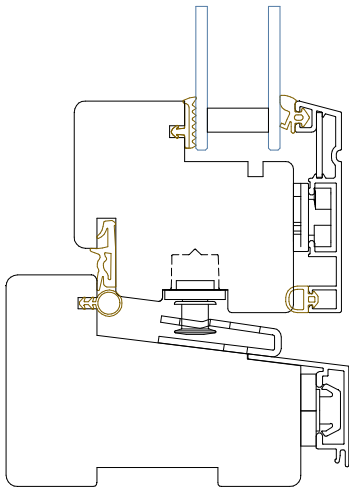


85mm VERTICAL MULLION

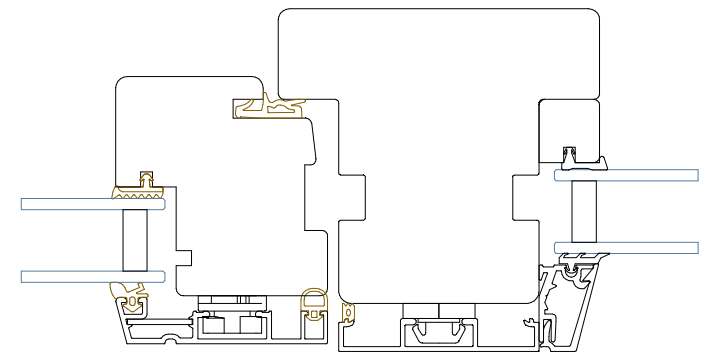
TOPSWING SYSTEM SPECS:
MAX SASH HEIGHT: 60"
MAX SASH WEIGHT: 154 LBS



56mm VERTICAL MULLION

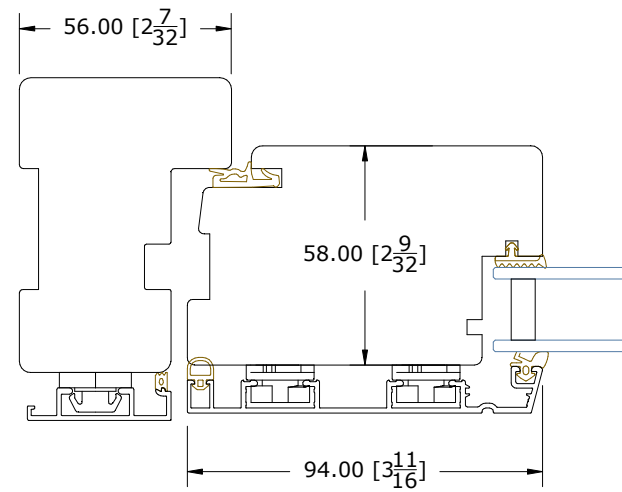
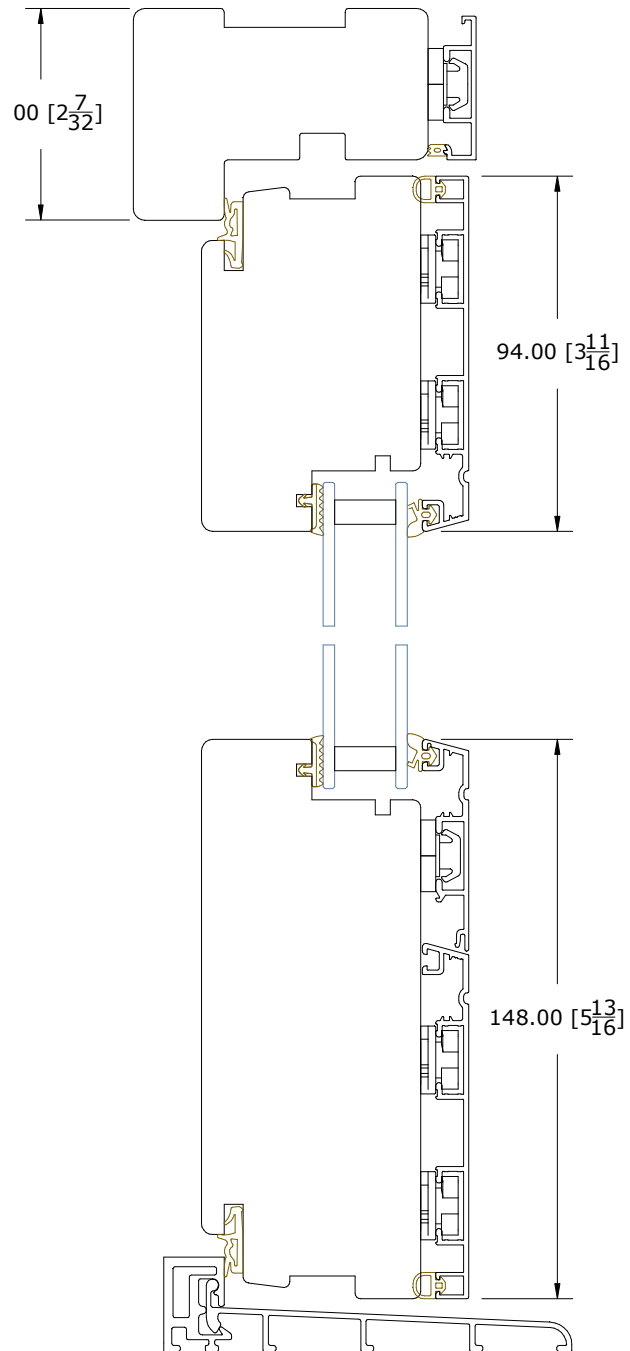


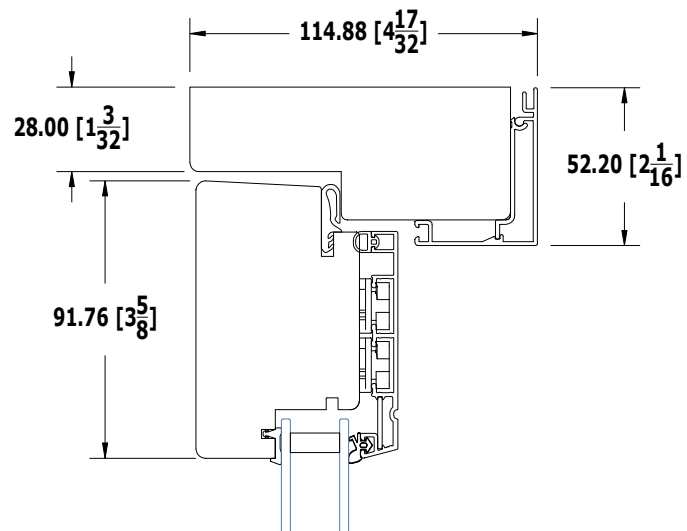
HORIZONTAL MULLION



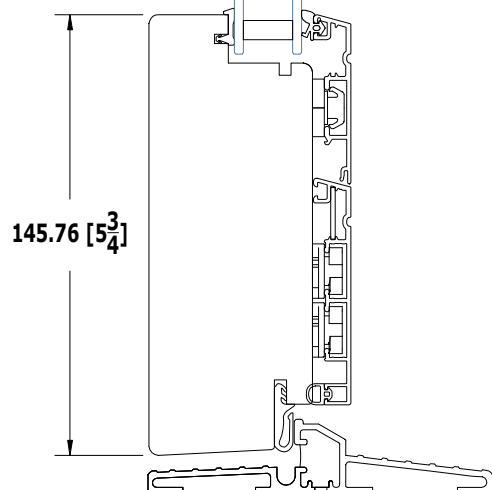
85mm VERTICAL MULLION

CROSS SECTION DRAWING
SERIES 2 TIMBER ALU
OUT SWING DOOR

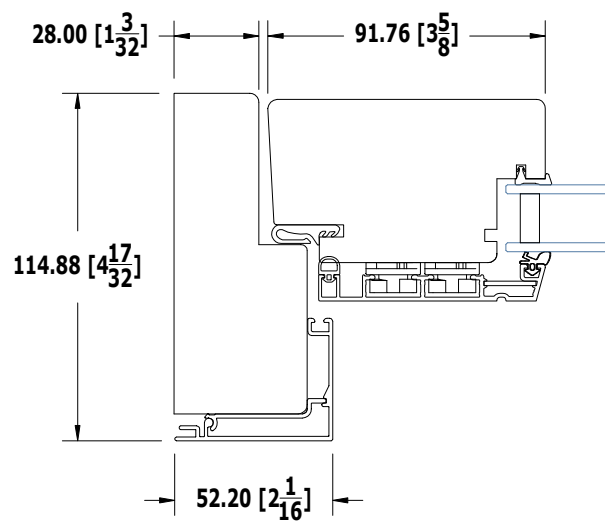




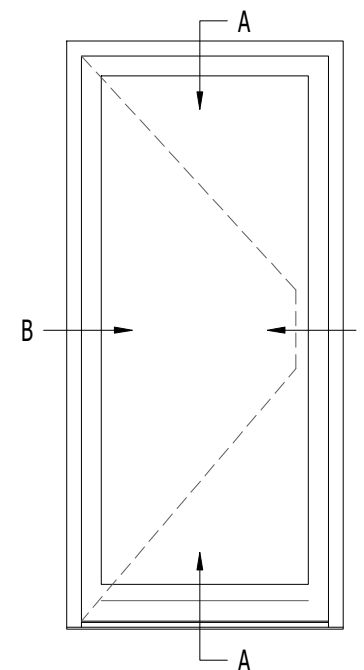
52.20 [2¹/₁₆]



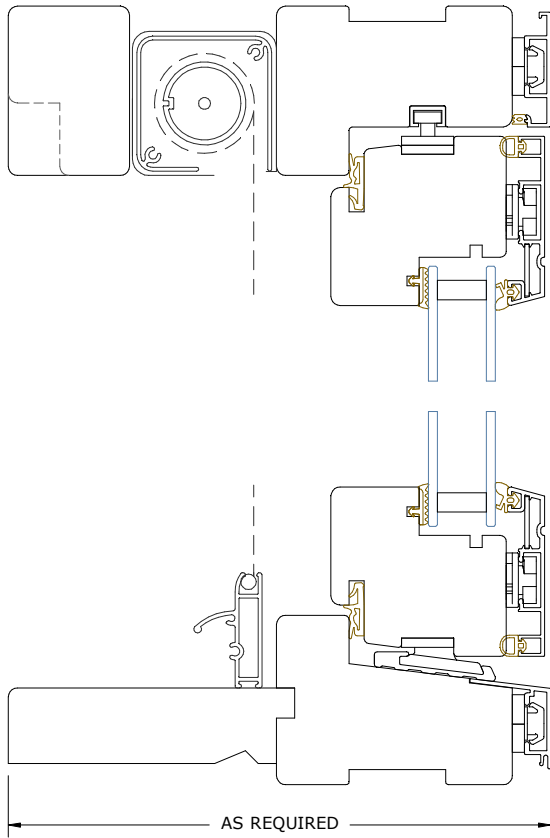
SECTION: AA



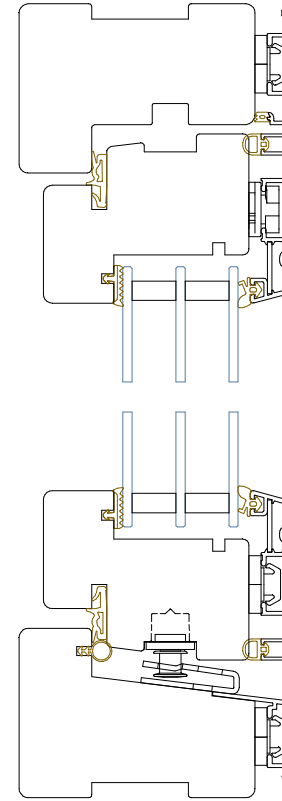
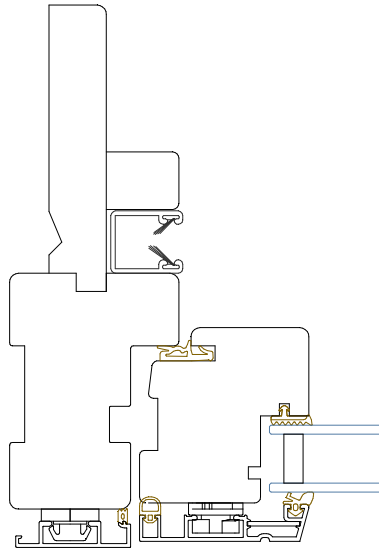
SECTION: BB



CROSS SECTION DRAWING
SERIES 2 TIMBER ALU
OPTIONS



CUSTOM JAMB WITHH
RETRACTABLE ROLLER SCREEN



TRIPLE GLAZING

