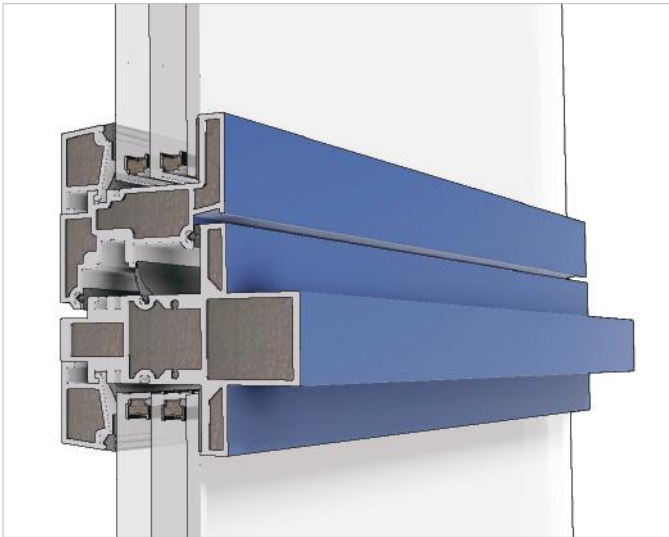




# CASCADIA UNIVERSAL SERIES™

## PRELIMINARY DATA, DRAWINGS AND DETAILS



The Cascadia Universal Series™ is a new all-fiberglass fenestration system by Cascadia Windows & Doors. The latest in energy efficient window technology.

- Passive-House certified thermal performance
- All fiberglass (Red List Free materials)
- Commercial-grade strength and sizes
- Inward and outward operation in one system
- Easy on-site coupling

The Universal Series™ was designed by Cascadia Windows, in 2016, in British Columbia, Canada. The document that you are now reading was prepared during the same time that the tools and machinery needed to create this product were, themselves, still being created. Therefore, physical test data is not yet available. When it is, it will be published on our website [www.cascadiawindows.com](http://www.cascadiawindows.com).

Drawings and installation details are finally released. Patents are pending.

### CONFIGURATION OPTIONS

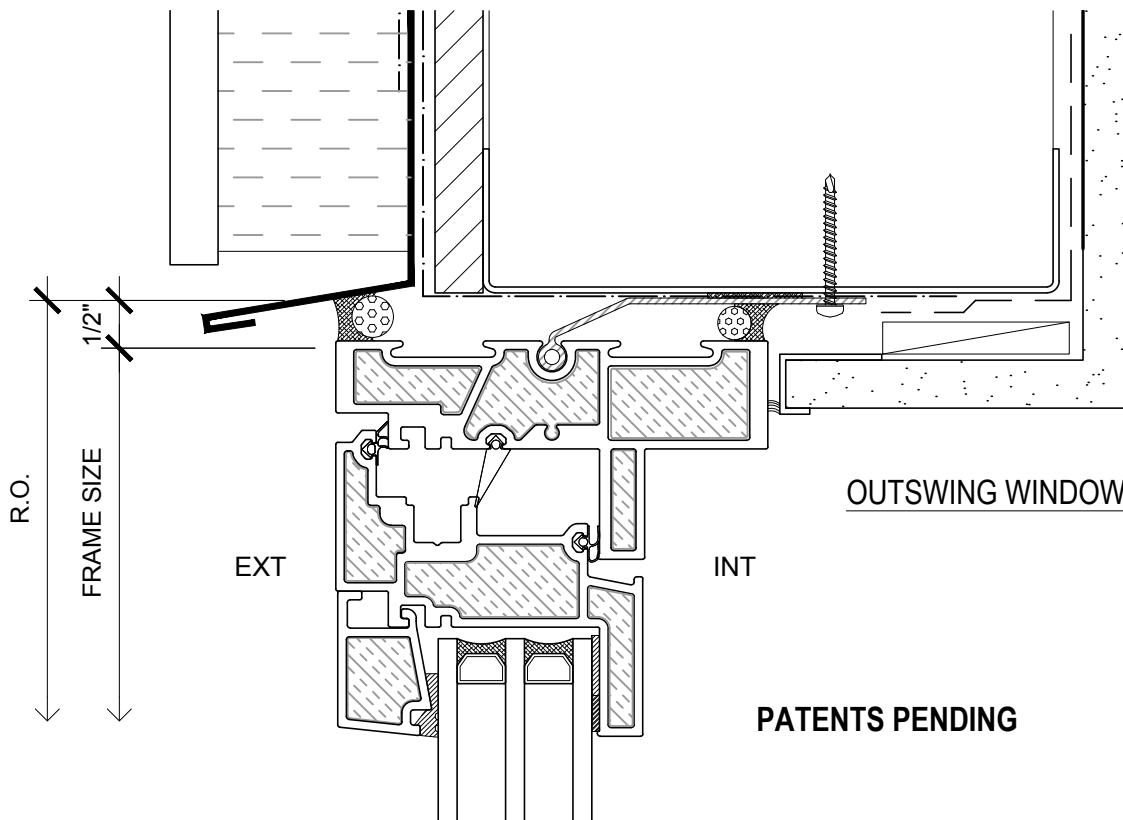
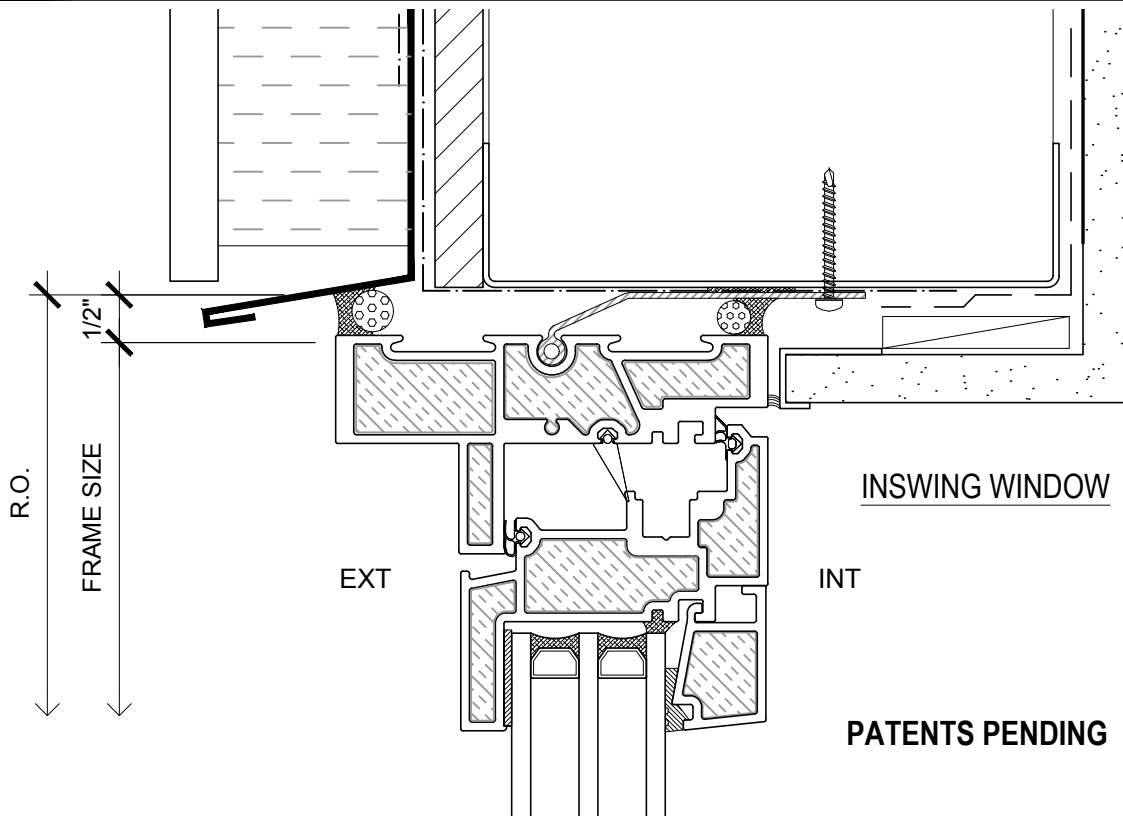
Vent operation, inswing	tilt & turn, hopper, swing door
Vent operation, outswing	casement, awning, swing door
Vent operation, sliding	sliding door (drawings coming soon)
Glazing	triple (standard); double (available)

### PHYSICAL PERFORMANCE EXPECTATIONS

(BASED ON ANALYSIS AND/OR MODELLING)

Water penetration resistance	720 Pa (15 PSF) for all products
Air tightness	Far more airtight than A3, or Fixed
Thermal (fixed & operable)	Better than U-0.80 W/m <sup>2</sup> (0.14 Btu/hr ft <sup>2</sup> °F)

Deliveries are expected to start in the second quarter of 2017



**NOTE:** THIS DETAIL IS FOR GENERAL ARRANGEMENT PURPOSES ONLY, AND DOES NOT NECESSARILY REPRESENT A DETAIL THAT IS APPROPRIATE FOR A SPECIFIC PROJECT. PRODUCTS AND ACCESSORIES PROVIDED BY CASCADIA MUST BE CONFIRMED FOR SPECIFIC PROJECTS.

**NOTE:** SUB-CLIPS AND ANCHOR CLIPS AT HEAD AND JAMBS ARE INTERMITTENT

**CASCADIA WINDOWS LTD.**  
 27050 GLOUCESTER WAY  
 LANGLEY, BC CANADA, V4W 3Y5

DRAWING TITLE: **UNIVERSAL SERIES - TYPICAL WINDOW HEADS**  
**RAINSREEN WALL ASSEMBLY, EXTERIOR INSULATION**

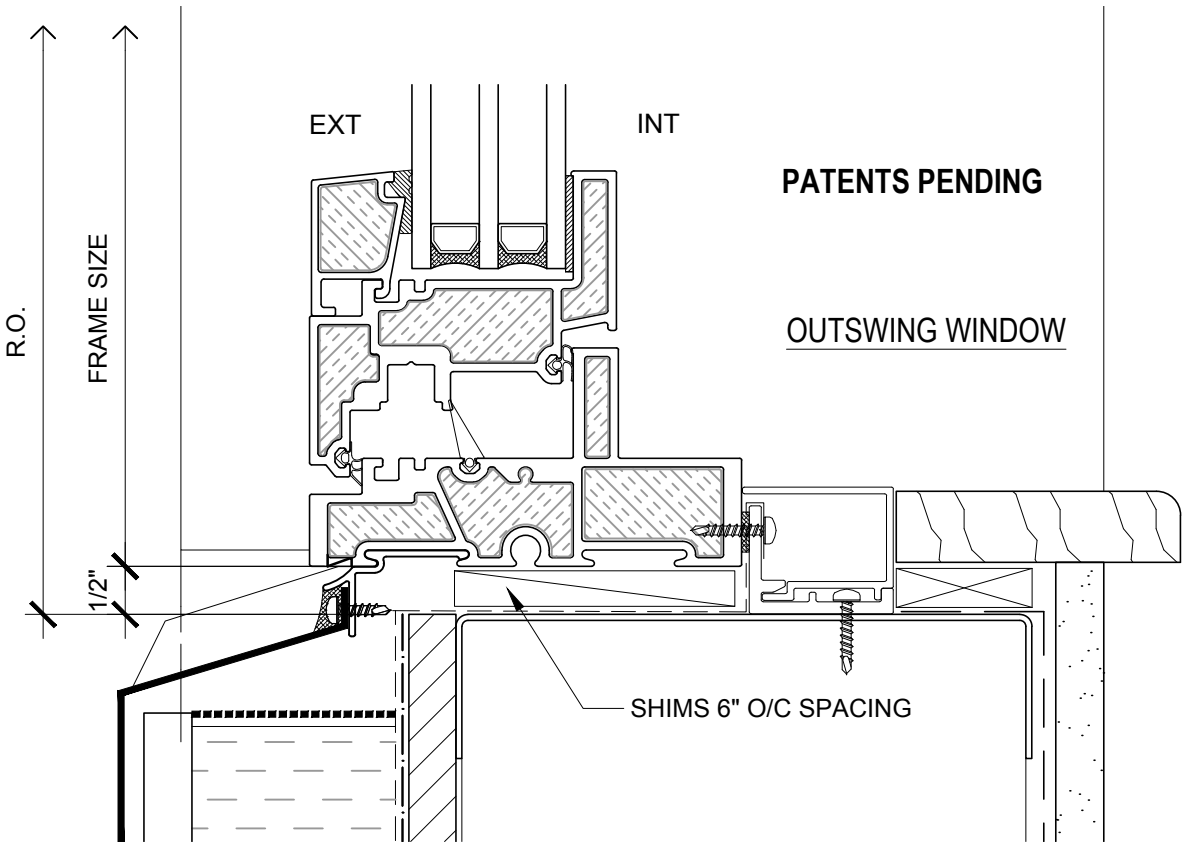
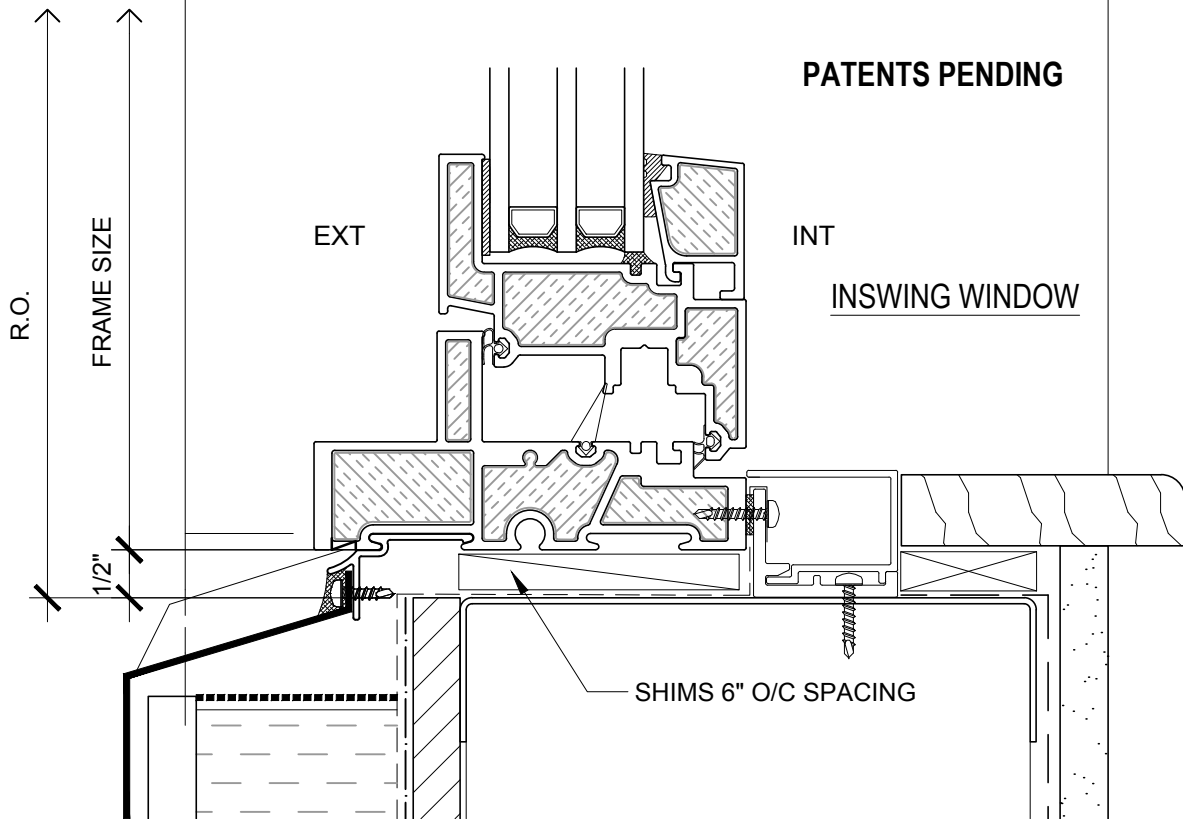
DRAWING NO.: **W-1.01**

SCALE: 6" = 1'-0"

PATENTS PENDING

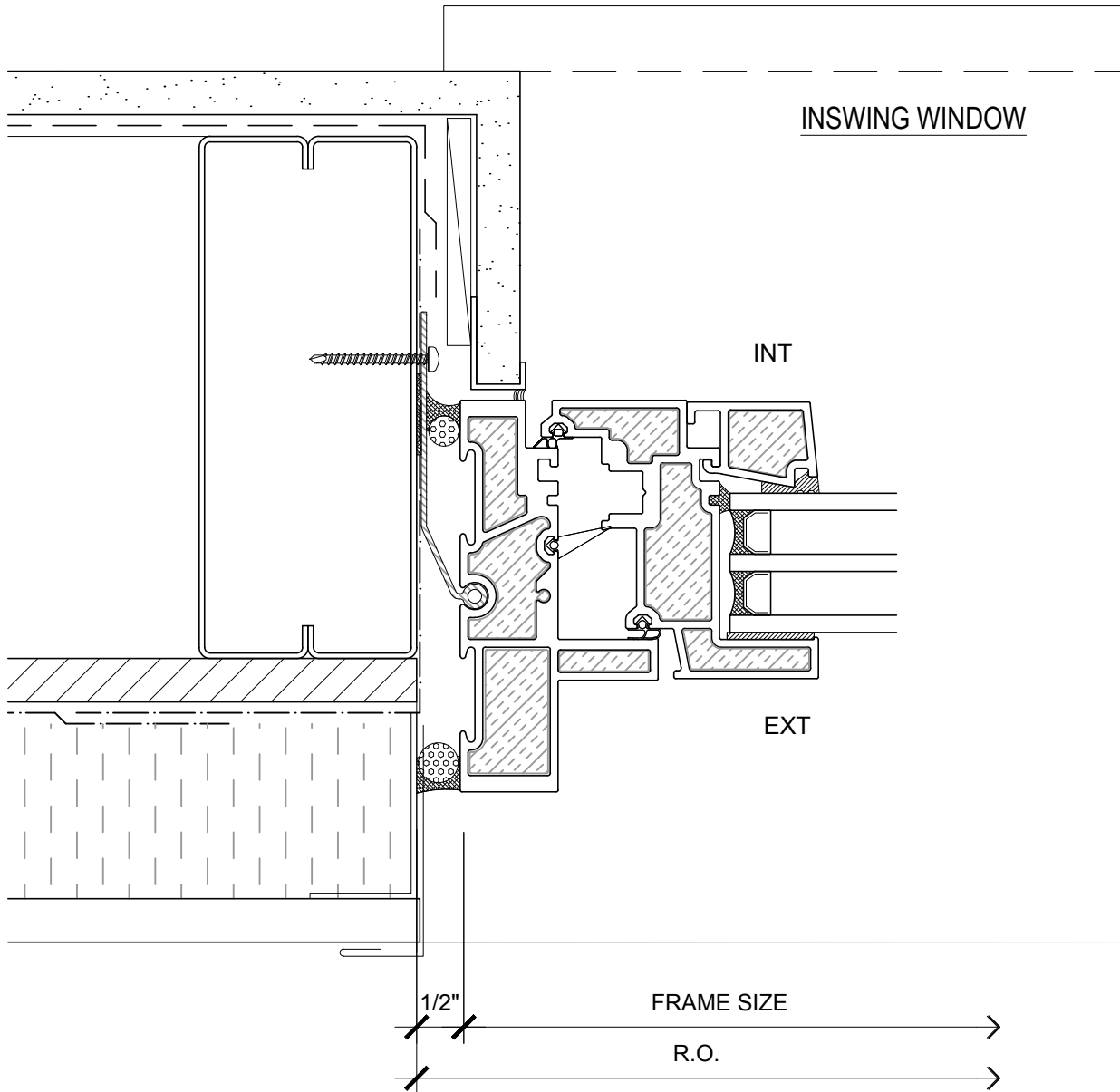
DATE: 18 AUG, 2016

DRAWN BY: CP



**NOTE:** THIS DETAIL IS FOR GENERAL ARRANGEMENT PURPOSES ONLY, AND DOES NOT NECESSARILY REPRESENT A DETAIL THAT IS APPROPRIATE FOR A SPECIFIC PROJECT. PRODUCTS AND ACCESSORIES PROVIDED BY CASCADIA MUST BE CONFIRMED FOR SPECIFIC PROJECTS.

<b>CASCADIA WINDOWS LTD.</b> 27050 GLOUCESTER WAY LANGLEY, BC CANADA, V4W 3Y5	DRAWING TITLE: <b>UNIVERSAL SERIES - TYPICAL WINDOW SILLS</b> <b>RAINSREEN WALL ASSEMBLY, EXTERIOR INSULATION</b>		DRAWING NO.: <b>W-1.02</b>
	SCALE: 6" = 1'-0"	PATENTS PENDING	DATE: 18 AUG, 2016



**PATENTS PENDING**

*NOTE: THIS DETAIL IS FOR GENERAL ARRANGEMENT PURPOSES ONLY, AND DOES NOT NECESSARILY REPRESENT A DETAIL THAT IS APPROPRIATE FOR A SPECIFIC PROJECT. PRODUCTS AND ACCESSORIES PROVIDED BY CASCADIA MUST BE CONFIRMED FOR SPECIFIC PROJECTS.*

**NOTE:** SUB-CLIPS AND ANCHOR CLIPS AT HEAD AND JAMBS ARE INTERMITTENT

**CASCADIA WINDOWS LTD.**  
 27050 GLOUCESTER WAY  
 LANGLEY, BC CANADA, V4W 3Y5

DRAWING TITLE: **UNIVERSAL SERIES - TYPICAL WINDOW JAMB**  
**RAINSCREEN WALL ASSEMBLY, EXTERIOR INSULATION**

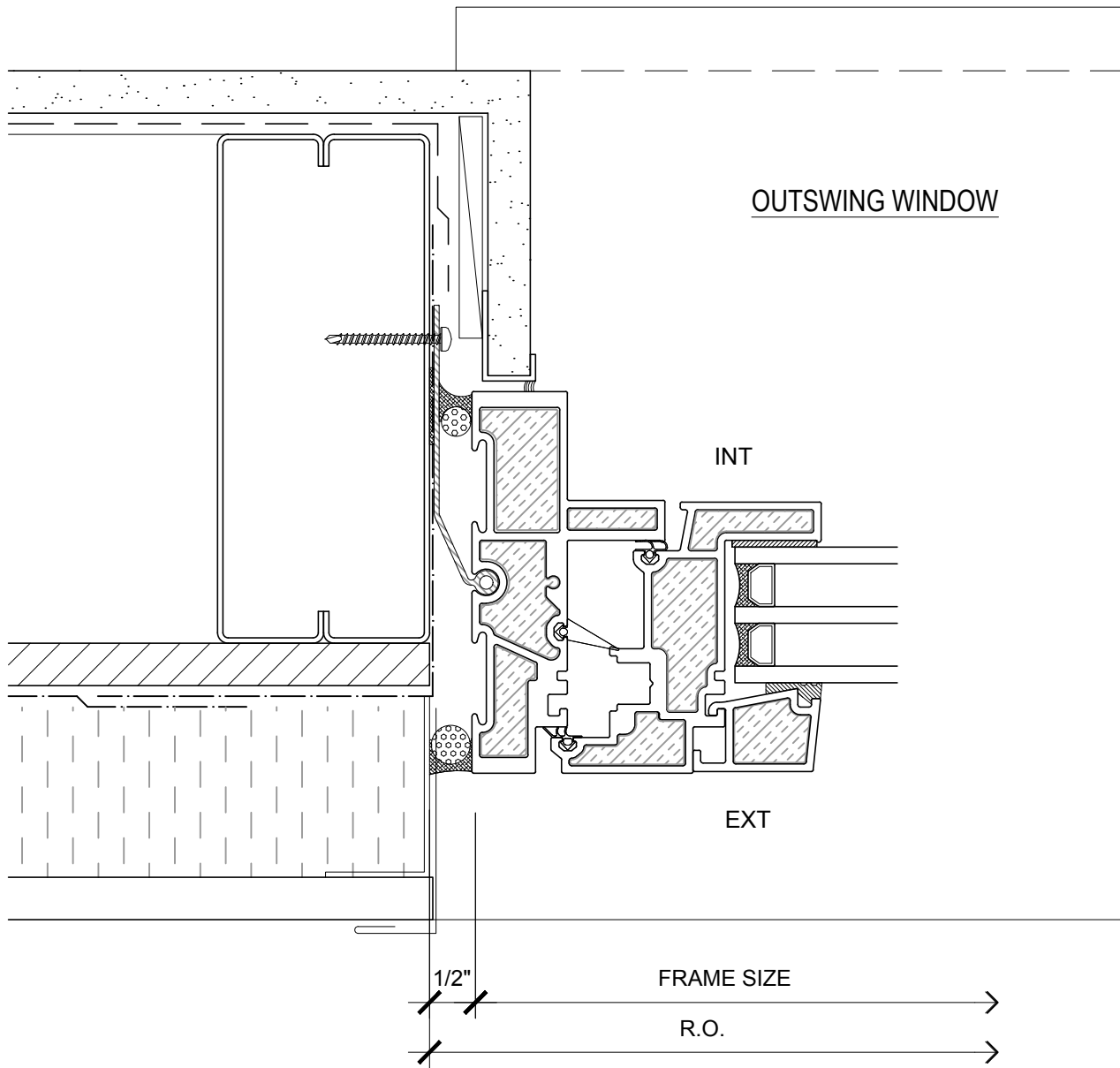
DRAWING NO.: **W-1.03**

SCALE: 6" = 1'-0"

PATENTS PENDING

DATE: 18 AUG, 2016

DRAWN BY: CP



**PATENTS PENDING**

*NOTE: THIS DETAIL IS FOR GENERAL ARRANGEMENT PURPOSES ONLY, AND DOES NOT NECESSARILY REPRESENT A DETAIL THAT IS APPROPRIATE FOR A SPECIFIC PROJECT. PRODUCTS AND ACCESSORIES PROVIDED BY CASCADIA MUST BE CONFIRMED FOR SPECIFIC PROJECTS.*

**NOTE:** SUB-CLIPS AND ANCHOR CLIPS AT HEAD AND JAMBS ARE INTERMITTENT

**CASCADIA WINDOWS LTD.**  
27050 GLOUCESTER WAY  
LANGLEY, BC CANADA, V4W 3Y5

DRAWING TITLE: **UNIVERSAL SERIES - TYPICAL WINDOW JAMB**  
**RAINSCREEN WALL ASSEMBLY, EXTERIOR INSULATION**

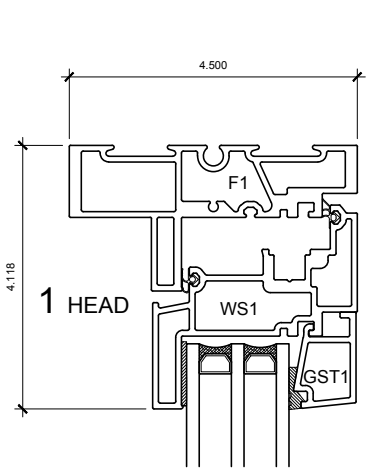
DRAWING NO.: **W-1.03**

SCALE: 6" = 1'-0"

PATENTS PENDING

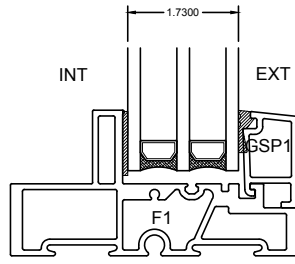
DATE: 18 AUG, 2016

DRAWN BY: CP

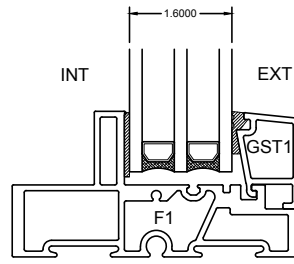


1 HEAD

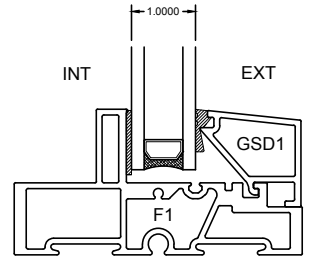
INT EXT



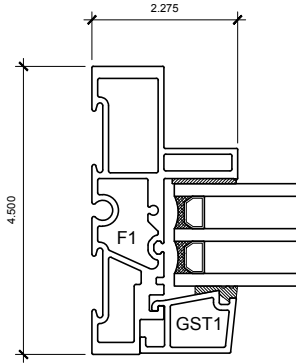
PASSIVE HOUSE  
GLAZING STOP



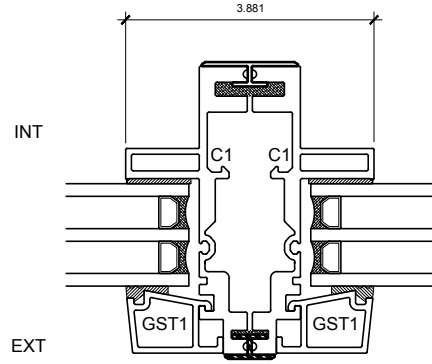
TRIPLE GLAZED  
GLAZING STOP



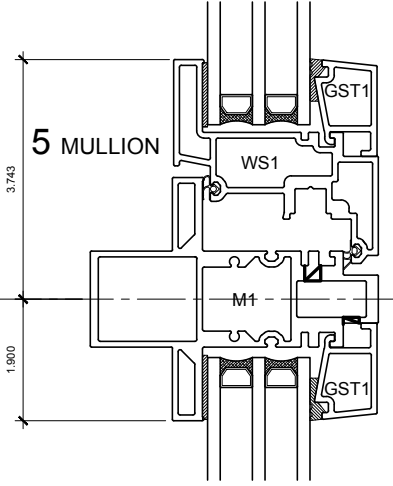
DOUBLE GLAZED  
GLAZING STOP



3 FIXED JAMB

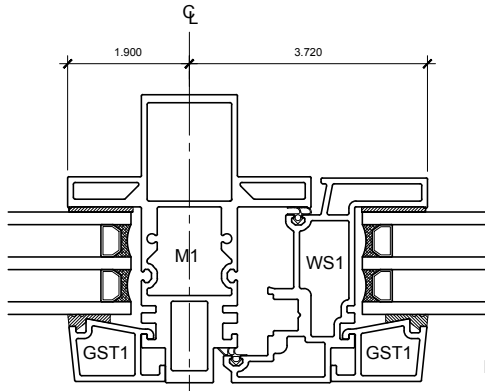


4 COUPLED MULLION

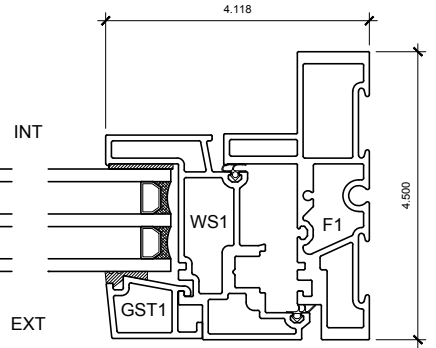


5 MULLION

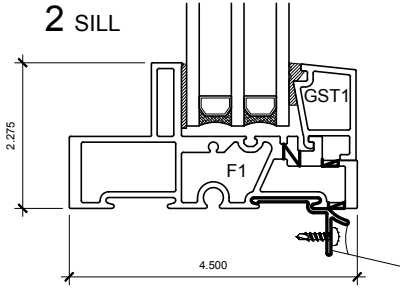
INT EXT



5 MULLION



6 OPERABLE JAMB

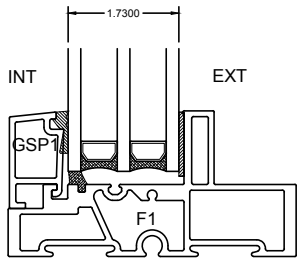


2 SILL

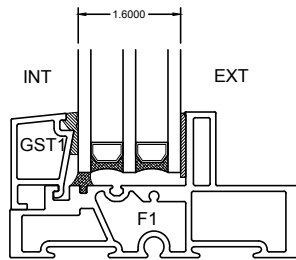
PATENTS PENDING

NOTE: THIS DETAIL IS FOR GENERAL ARRANGEMENT PURPOSES ONLY, AND DOES NOT NECESSARILY REPRESENT A DETAIL THAT IS APPROPRIATE FOR A SPECIFIC PROJECT. PRODUCTS AND ACCESSORIES PROVIDED BY CASCADIA MUST BE CONFIRMED FOR SPECIFIC PROJECTS.

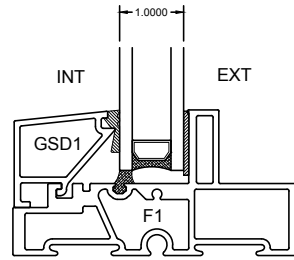
<b>CASCADIA WINDOWS LTD.</b> 27050 GLOUCESTER WAY LANGLEY, BC CANADA, V4W 3Y5	DRAWING TITLE: <b>UNIVERSAL SERIES - OUTSWING WINDOW</b>	DRAWING NO.: <b>W-2.01</b>
	SCALE: 4" = 1'-0"	PATENTS PENDING
		DRAWN BY: CP



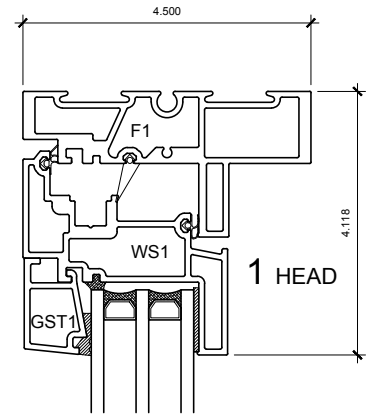
PASSIVE HOUSE  
GLAZING STOP



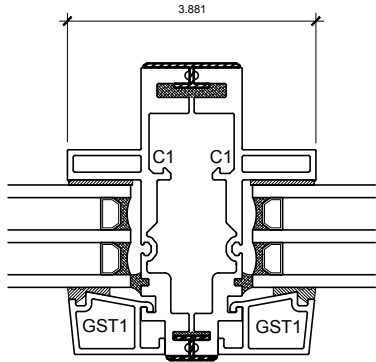
TRIPLE GLAZED  
GLAZING STOP



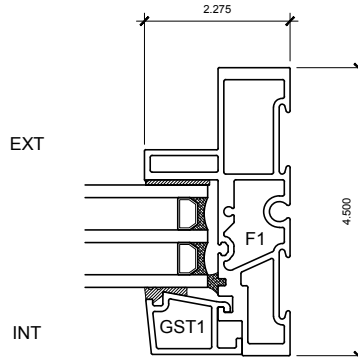
DOUBLE GLAZED  
GLAZING STOP



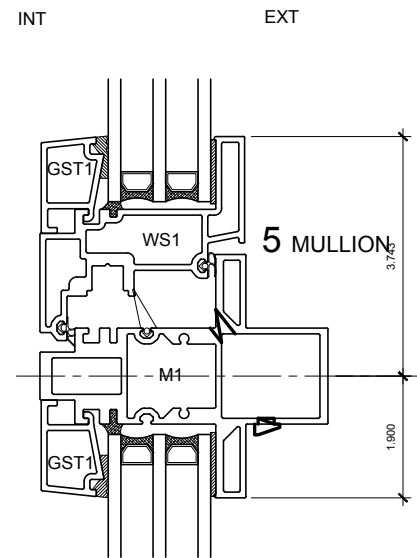
1 HEAD



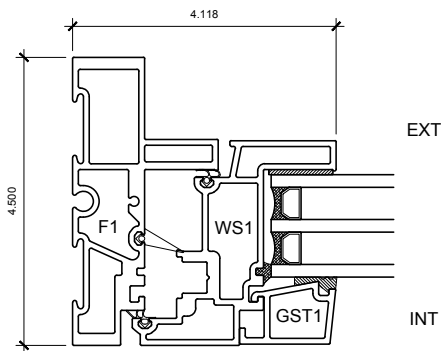
4 COUPLED MULLION



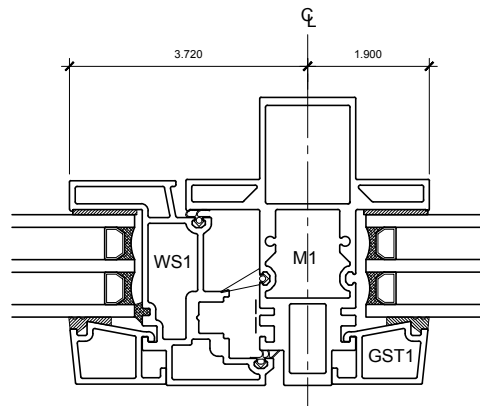
3 FIXED JAMB



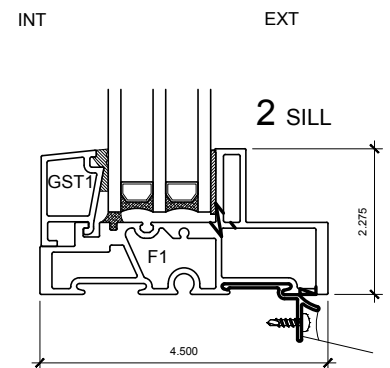
5 MULLION



6 OPERABLE JAMB



5 MULLION



2 SILL

**PATENTS PENDING**

**NOTE:** THIS DETAIL IS FOR GENERAL ARRANGEMENT PURPOSES ONLY, AND DOES NOT NECESSARILY REPRESENT A DETAIL THAT IS APPROPRIATE FOR A SPECIFIC PROJECT. PRODUCTS AND ACCESSORIES PROVIDED BY CASCADIA MUST BE CONFIRMED FOR SPECIFIC PROJECTS.

**CASCADIA WINDOWS LTD.**  
27050 GLOUCESTER WAY  
LANGLEY, BC CANADA, V4W 3Y5

DRAWING  
TITLE:

**UNIVERSAL SERIES - INSWING WINDOW**  
PRODUCT DRAWING

DRAWING NO.:

**W-2.02**

SCALE: 4" = 1'-0"

PATENTS PENDING

DATE: 18 AUG, 2016

DRAWN BY: CP